

EARTHplate

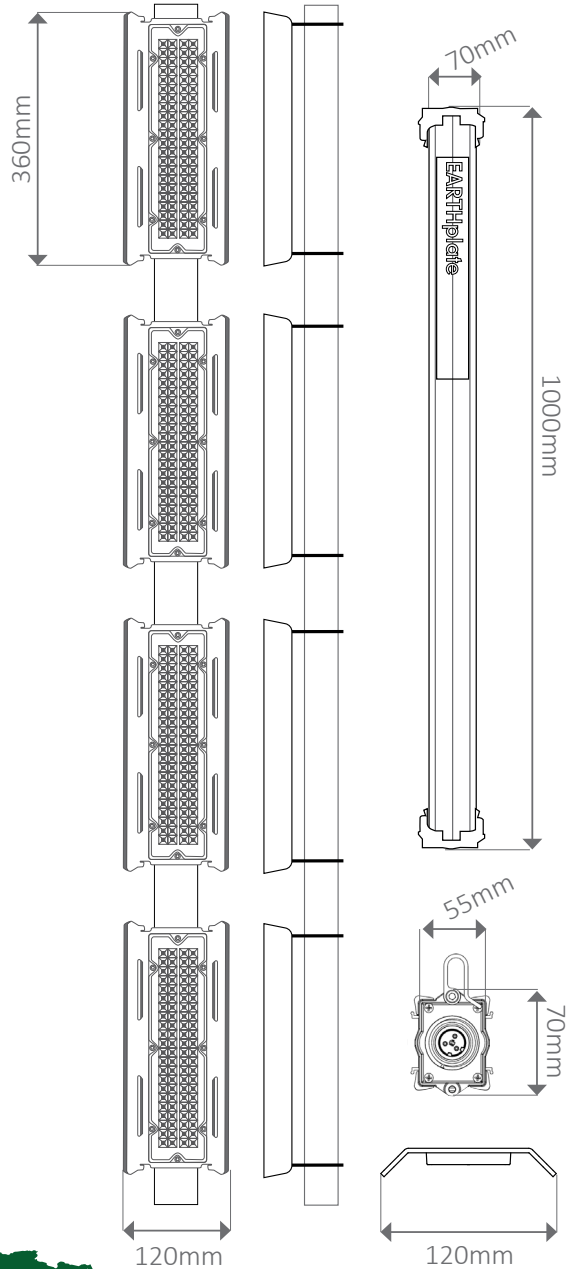
EARTH

EARTH™
HORTICULTURAL LIGHTING SYSTEM

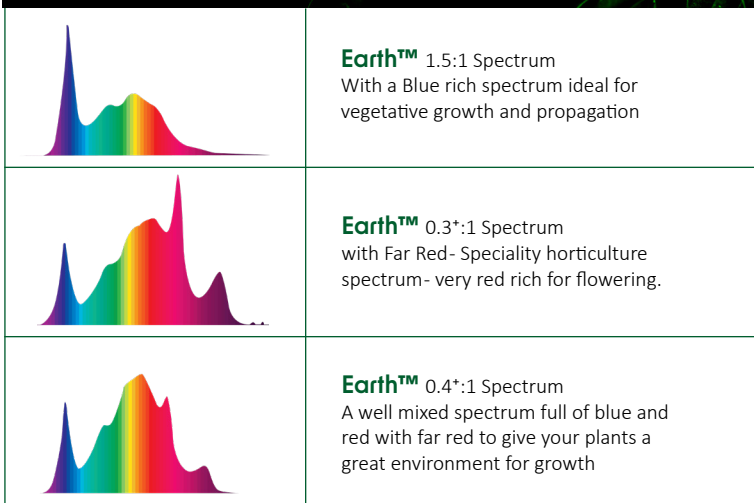
IP 65

SPECIFICATIONS

PPF (400- 800nm)	(0.3*:1) 472 $\mu\text{mol/s}$ / (0.4*:1) 486 $\mu\text{mol/s}$ / (1.5:1) 512 $\mu\text{mol/s}$
Input Power	280W- 304W spectrum dependant
Lens Attributes	IP65/ IK08 impact rating
Lens Ability	110° optical distribution (std) Allows for full design intensity at 0.5m distance between plants and lights and higher than normal intensities at this distance when compared to no lens
Product Sizes	PLATE: Driver 1000mm (l) x 70mm (w) x 55mm (h) PLATE: single plate 360mm (l) x 120mm (w) x 50mm (h)
Suggested mounting height	Minimum 500mm above the heighest crop canopy position- stationary installation
Product Ability	1000 $\mu\text{mol/m}^2 / \text{s}$ @ 500mm @ > 500W/m ² 500 $\mu\text{mol/m}^2 / \text{s}$ @ 500mm @ > 300W/m ²
Thermal Management	Passive cooling
Dimming Control	DALI2 protocol / 1- 100%
Power Plug	IP65 5-pole connector plug attached to fitting (partner panel mount plug in the box)
Lifetime Rating	L90B10, 45 000 hrs @ 35°C
Power Factor	> 0,95
Electronic Components	Driver- EU Tridonic LED- EU Vossloh Schwabe
Warranty	5 year standard warranty
Company Certifications	ISO 9001 / SABS Bench Mark / GMP
Extra Component (not supplied)	Power & Control Distribution box 3- 8 way



SPECTRUMS



energywise

Better Light
Through Research.

sales@energywise.co.za | www.energywise.co.za T: +27 31 764 2345
Physical address: Unit 5 Edstan Business Park, 2 Ibhubesi Road,
Riverhorse Valley, Durban, South Africa, 4017
Postal address: PO Box 1166, Kloof, South Africa, 3640



Impact resistant lens (IK08)



4kV, Upgrade to 10kV surge protection available



4 different light distribution options (lenses)



Able to operate at +35°C ambient



Dimmable DALI standard, non dimmable on request.



Plug and play ability to service your fittings without an electrician

