

EX Torch

ZONE
21/22

EX

IP
65

Who says tough can't be pretty?

Our industrial LED bulkhead is composed of high-pressure LM6 Marine grade cast aluminum body and clear polycarbonate cover all wrapped up with an IP65 rating and able to withstand temperatures of 40°C ambient. Available in 4 different light distributions and standard with a replaceable 10kV surge protection this luminaire is rated for zone 21 and zone 22.



Proudly manufactured in
South Africa using
European LED Technology



kV Protection:
Up to 10kV
Standard



**Outdoor/
Indoor**



**LM6 Marine
Grade Cast
Aluminum**



**5 Year
Warranty**

energywise

Better light
through research.

INTRODUCING



Marine grade high-pressure die cast aluminum body and clear polycarbonate cover wrapped up with an IP65 rating.

Our EX TORCH range is based off of the same chassis of our industrial Torch Bulkhead. What this means for you is a fitting whose body has proved itself at cooling, protecting and housing luminaries in some of the most rugged environments in Africa.

We then combined this chassis with EX technology sourced from the leading component manufacturers in both Europe. These new systems were then put through months of testing to ensure that the final product could deliver against our exacting specifications.

The final result, an EX light at the leading edge of technological advancements in LED EX lighting technology.

KEY FEATURES

LENSES

- 4 different optics.

FRONT COVER

- Impact rating IK08/5J

TEMPERATURE

- Ambient room temperature -25°C to +40°C.

MOUNTING OPTIONS

- Surface mounting brackets
- Swivel mounting bracket
- Extender 44 mounting bracket



*25°C is for Textbooks, Not Africa's Sun:
All EW Lights are designed for the 30°C Reality. Minimum.

Specifications

The perfect configuration for its job.



kV Protection:
up to 4kV, 10kV
on request



Indoor/Outdoor



Impact Resistance:
IK08/5J



Lenses:
Polycarbonate



Construction:
Aluminum &
Stainless Steel



**Marine Grade
Aluminum**

EX TORCH

Raw Lumen:
Effective Lumen:

9912 lm
9440 lm

Wattage:
Power Factor:
Raw Efficacy:
Effective Efficacy:

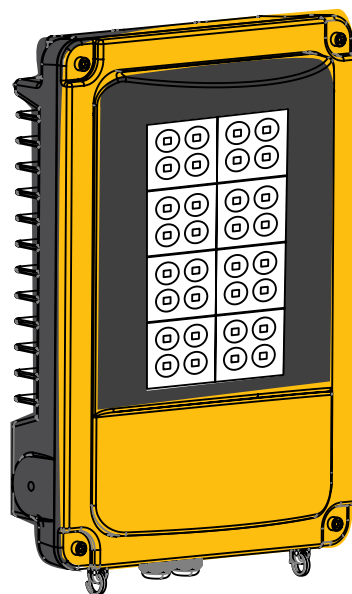
67W
0.95
148 lm/w
141 lm/w

Max Ta:
L&B:
Hrs:

40°C
L80 B10
60000hrs

Fitting Size LxBxH:

450mm x 280mm x 115mm



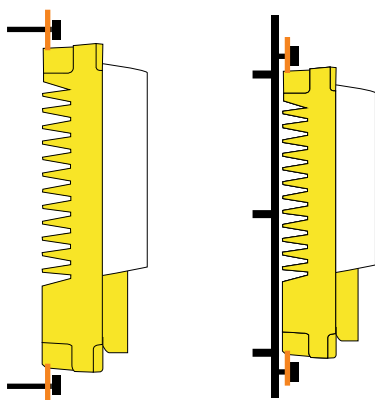
Installation

Easy to install, **Saving** you time & money

The EX Torch is a purpose designed LED bulkhead built for an industrial environment where dust is a potential hazard. Four easily attached mounting feet as standard. Alternatively a swivel bracket or extender 44 bracket is optional.

Mount - Surface brackets mounting

Solid, no fuss brackets.

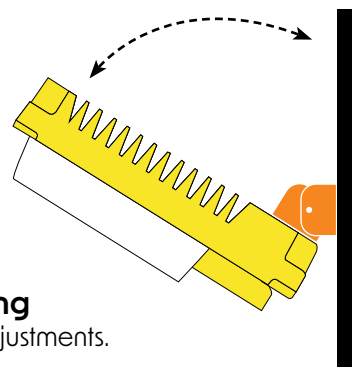


Mount - Extender 44 bracket mounting

Seamless integration.

Mount - Swivel bracket mounting

Seamless angle adjustments.



Disclaimer:

Although every effort is made to ensure that at the time of publication, the technical details here within, are accurate, true and in line with the latest production specifications, we do reserve the right to change or upgrade any of the details without prior notice, agreement or warning, for any of our products or components.

Our products and their performance are in constant evolution through:

- technology upgrades to improve energy efficiency and performance, increased safety and cost effectiveness
- to comply or conform to suppliers updates or according to new safety standards.

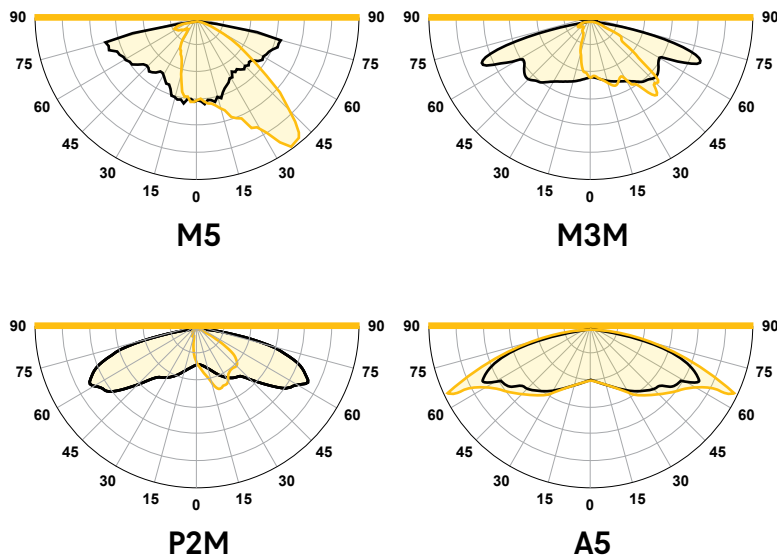
The true nature of any upgrade is always to provide a better product, therefore, there will be no recourse for any complaints or claims of any nature regarding changes to specs. We are ISO 9001-2015 compliant and our assembly line follows IEC 60958 guidelines – our products are covered by a Product Liability Policy. Our LED products are covered by a 5 year warranty* *T&C's apply, please check with Head Office for further details.

Distribution Options

The light you need, where you want it.

The development of high-quality optical lenses has changed the lighting game. Gone are the days of naked bulbs throwing out in a wide light spray covering everything from the ceiling above to the walls no one needs to see. With today's advancements in lens efficiency, we are able to put the light where you need it most providing you lux levels on both vertical and horizontal planes.

In so doing we can provide solutions for car parks or walkways or throwing wide beams across open spaces.



A Closer Look

Engineered to the highest standards.

Heat-sink

This industrial bulkhead is specifically designed for LEDs, it has an external heat sink allowing for effective heat dissipation outside of the fitting.

Cover

Polycarbonate cover offers great IK08 impact protection. The continuous rubber gasket allows for a water-resistant (IP65) assembly.

Lenses

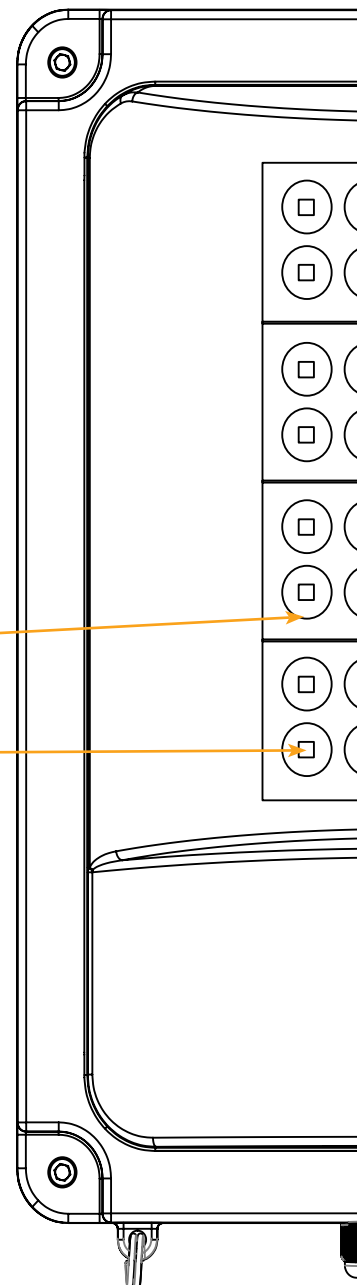
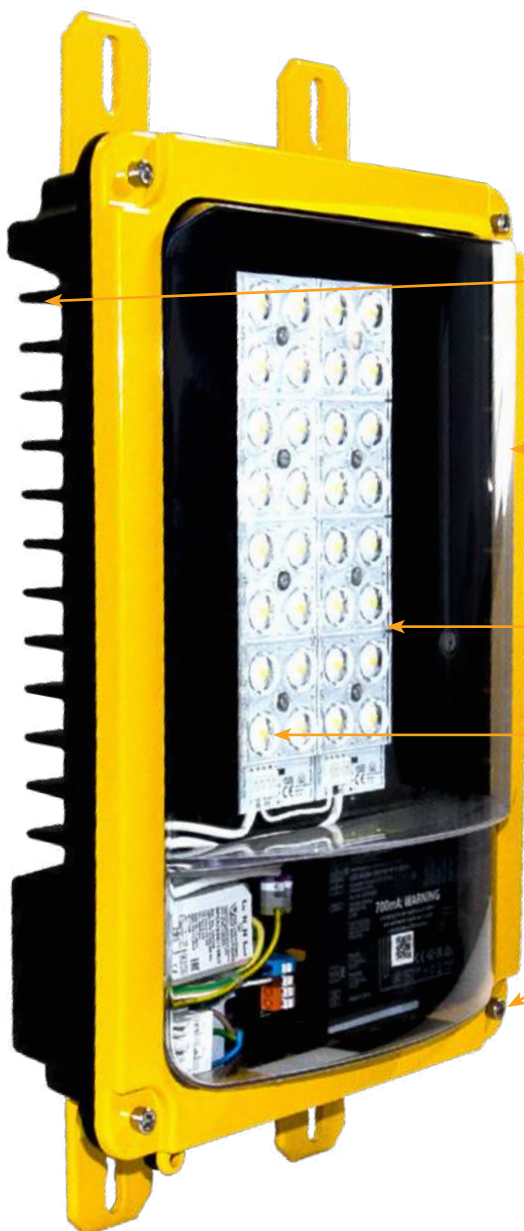
For your choice of distribution options.

LEDs

Sourced from the best component manufacturers in Europe to ensure maximum lifespan, quality and light spectrums.

Finishings

All fasteners are Stainless Steel 316 rust free longevity.



Features

Standard across the EX Torch range.



Water resistant.



Recyclable aluminum.



Polycarbonate lens and front cover.



Serviceable: All units are serviceable and all parts replaceable.



5000K Standard, 4000K, 6500K on request.



Colour rendition index 75+, 80+ on request



Top Bin Chips <3 MacAdams



Earth connection and CLASS I insulation fixture.



Front cover impact rating IK08/5J.



Replacable voltage surge protection 10kV.



Aluminum alloy with stainless steel 316 fasteners.



Surface mount.



LM6 Marine Grade Cast Aluminum



L&B Life Rating: L80 B10

Extras

Optional extras



IES files available.



VOLTpro

Effective lumen output after warm up:

We follow the same practice as other professional manufacturers in providing Effective Performance Data (Lumens, Watts and L&B) that are inclusive of driver and LED thermal losses during the warm-up period.

This can only be achieved by performing the Energy and Photometric Measurement after the LED, within the fitting, is left ON, until a stable and constant Lumen output is reached, ie. reaching a thermally stable condition within the LED assembly at a Ta of 35°C.

Unfortunately it's not uncommon to find suppliers using incomplete data suggesting Efficacy Lumen value to be 10 to 20% higher than the True Effective value.

This misrepresentation is achieved by using Raw LED photometric data that does not include any of the driver losses (generally 2-5 %) and any thermal adjustment losses (this can take 20-240 min & account for 7-15%)

In some extreme cases Effective Lumen is completely misquoted and only the Raw value is mentioned with much higher values.

In both these cases True Effective Lumen is misrepresented and unlawful.

5 year warranty:
Please visit
www.energywise.co.za



Designed and
Manufactured by

energywise

**Better Light
Through Research.**

sales@energywise.co.za | www.energywise.co.za

T: +27 31 764 2345 / +27 87 941 0012

Physical address: Unit 5 Edstan Business Park, 2 Ibhumbesi Road, Riverhorse Valley, Durban, South Africa, 4017

Postal address: PO Box 1166, Kloof, South Africa, 3640



Permit number
MASC-098MR



Energywise lighting options

Energywise specialises in LED luminaires for industrial, EX, commercial and horticultural applications.

Lights on

INDUSTRIAL



Bay XP
Factories, Warehouses,
Cold rooms etc.

Standard
Height: 6-25m
IP: 65
Temp: 40/65°C

Bay XL
Factories, Warehouses,
Supply rooms etc.

Standard
Height: 3-20m
IP: 40
Temp: 30°C

Bay XE
Factories, Warehouses,
Supply rooms etc.

Standard
Height: 6-25m
IP: 20
Temp: 30°C

DUSTPROOF
Warehouses, Car
parks, Corridors.

Standard
Height: 2.5-8m
IP: 66
Temp: 35°C

Torch Bulkhead
Heavy industrial areas.

Standard
Height: 2-10m
IP: 65
Temp: 30°C



HIGHbay XF
Light industrial econo
low bay.

Standard
Height: 2-10m
IP: 20
Temp: 30°C

LOWbay XF
Light industrial econo
low bay, Task lighting.

Standard
Height: 2-10m
IP: 20
Temp: 30°C

Plate XP
Swiss army knife
of lighting.

Standard
Height: 0.35m
IP: 65
Temp: 35°C

TOBLO bay
Factories, Warehouses,
Supply rooms etc.

Standard
Height: 6-25m
IP: 20
Temp: 40/30°C

Retrofit 44
Converting old HID
tech to LED

Standard
Height: 8m
IP: 00
Temp: 30°C

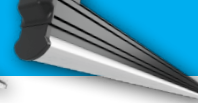
Retrofit 22
Converting old HID
bulkhead to LED

Standard
Height: 10m
IP: 00
Temp: 35°C

Bricklight
Recessed wall light

Standard
Height: 2m
IP: 00
Temp: 30°C

RETAIL & COMMERCIAL



LEDrail 1000
Shops, Production
facilities, parking

Standard
Height: 2.5-10m
IP: 40
Temp: 30°C

LEDrail 2000
Shops, Sheds,
Underground parking

Standard
Height: 2.5-10m
IP: 40
Temp: 30°C

LEDrail 4000
Retail, board rooms,
department stores.

Standard
Height: 2.5-6m
IP: 40
Temp: 35°C

LEDrail 8000
Retail, board rooms,
department stores.

Standard
Height: 2.5-6m
IP: 40
Temp: 35°C

LEDrail 4-100
All retail outlets,
showrooms, offices etc

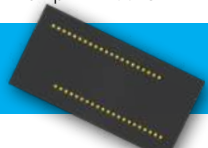
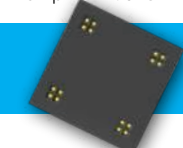
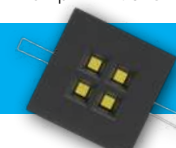
Standard
Height: 2.5-10m
IP: 40
Temp: 35°C

LEDrail 4LCO
Shops, Production
facilities, showrooms etc

Standard
Height: 2.5-10m
IP: 40
Temp: 35°C

DLBR-LED
Glare free
precision lighting

Standard
Height: 2.5-10m
IP: 40
Temp: 35°C



Downlighter
Offices, retail and
hospitality settings.

Standard
Height: 0.15m
IP: 40
Temp: 30°C

Panel 600x600
Offices, healthcare,
educational facilities.

Standard
Height: 0.6m
IP: 40
Temp: 30°C

Panel 1200x600
Offices, commercial,
educational settings.

Standard
Height: 0.6m
IP: 40
Temp: 30°C

EX Bay XP
Factories, Warehouses,
Mills, Marine etc.

Standard
Height: 6-25m
IP: 65
Temp: 40°C

**EX DUSTPROOF
PREMIUM** Warehouses,
Car parks, Mills.

Standard
Height: 2.5-8m
IP: 65
Temp: 35°C

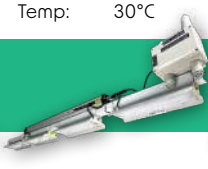
EX DUSTPROOF
Warehouses, Car
parks, Corridors, Mills.

Standard
Height: 2.5-8m
IP: 65
Temp: 35°C

EX Pod
Factories, Mines,
Marine etc.

Standard
Height: 2-5m
IP: 68
Temp: 40°C

EARTH



EX Torch
Heavy industrial
areas.

Standard
Height: 2-10m
IP: 65
Temp: 40°C

EARTHbay
Horticulture, Open
areas etc

Standard
Height: 2.5m
IP: 65
Temp: 35°C

EARTHplate
Horticulture, Rack/
Under shelf etc

Standard
Height: 0.5m
IP: 65
Temp: 35°C

EARTHpod
Horticulture,
Propagation, Racks etc.

Standard
Height: 0.2m
IP: 65
Temp: 35°C

EARTHaxis
Grow tent
horticulture

Standard
Height: 0.2m
IP: 65
Temp: 35°C

Job done

energywise

Better light
through research.